

NLP254S SHALLOW NAUTIC SUBWOOFER

Thank you for choosing the MB Quart NLP254S subwoofer for your marine audio sound system. With proper installation, you are on the path to experiencing your music in a way you only imagined possible. Here at MB Quart, we call this "Sound In Every Detail."

The NLP254S has been designed for those marine applications where space can be an issue. With only 2.83 inches of mounting depth, the NLP254S can fit in any bench seat, gunnel or shallow compartment without giving up much space at all. Designed to perform optimally in free-air applications, the NLP254S will also perform in as small as .45 cubic feet sealed if you so desire. This Nautic subwoofer has been designed with the following features to weather the harshest elements:

- UV Resistant Fiber-Reinforced ABS Composite Speaker Basket And Grill
- Gold Plated Push Terminals
- Stainless Steel Mounting Hardware
- Injection-Molded Magnet System
- Polypropylene Flat Piston Cone
- Injection Molded Cone Neck Support
- 3/4" NBR Rubber Surround
- 3" Voice Coil On Glass Fiber Former
- Meets Or Exceed ASTM Requirements
- ABYC Compliant



It is very important these steps or your grill will not mount properly.

Diagram 1 shows a screw pattern for mounting your subwoofer.

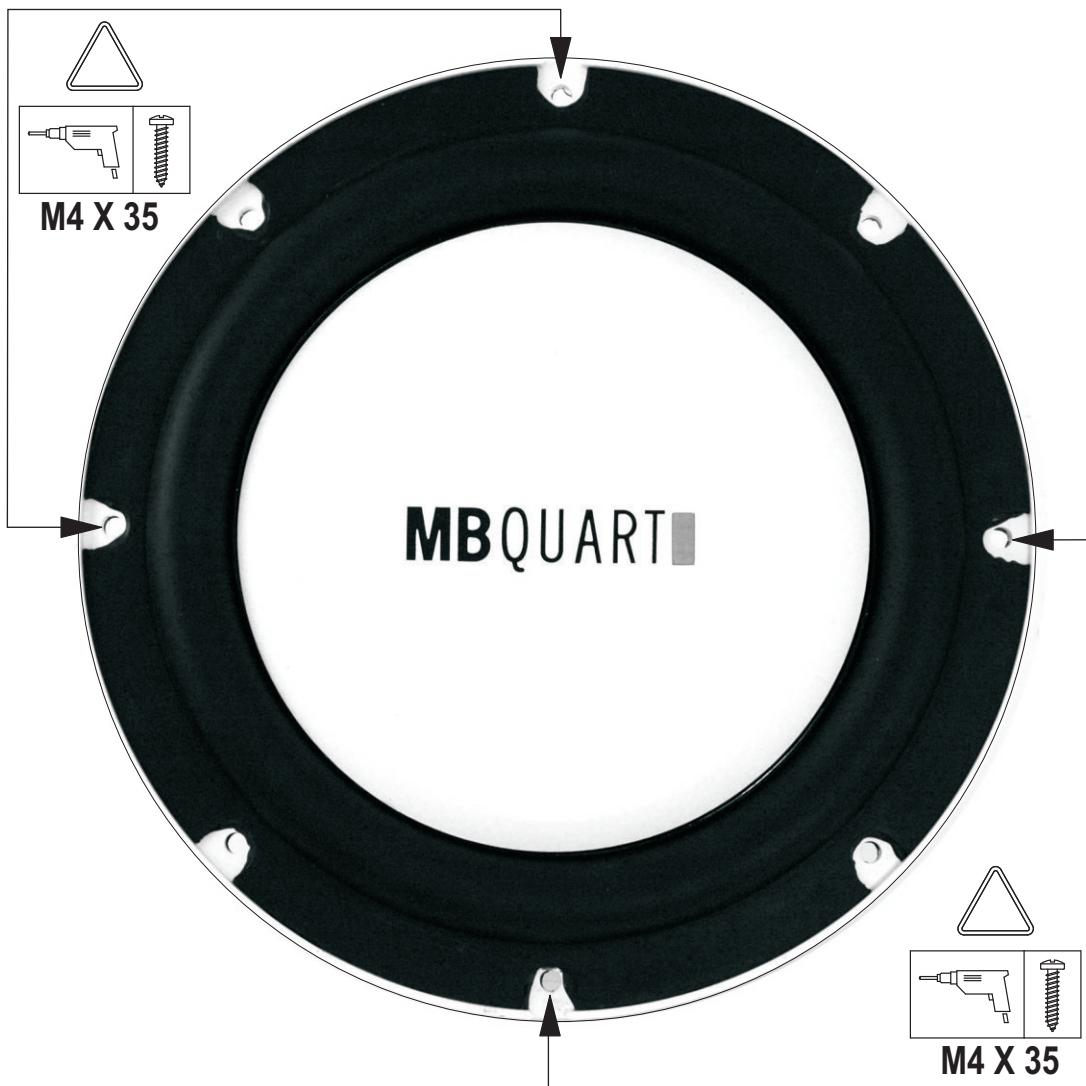
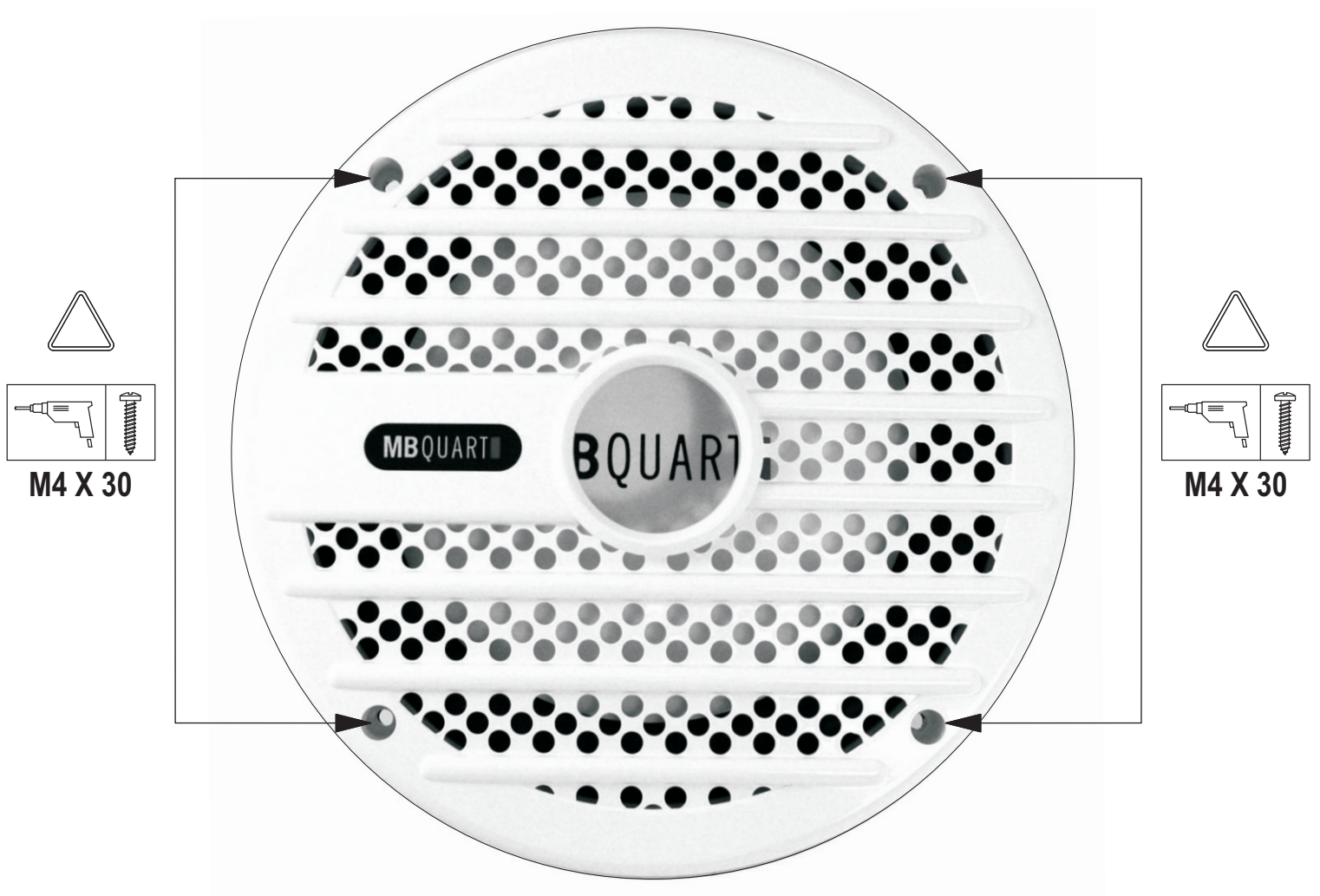
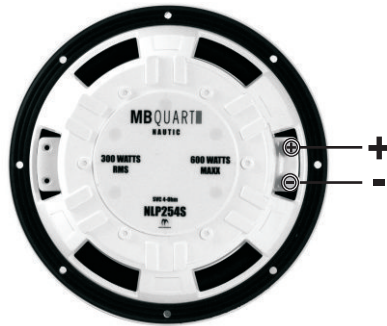


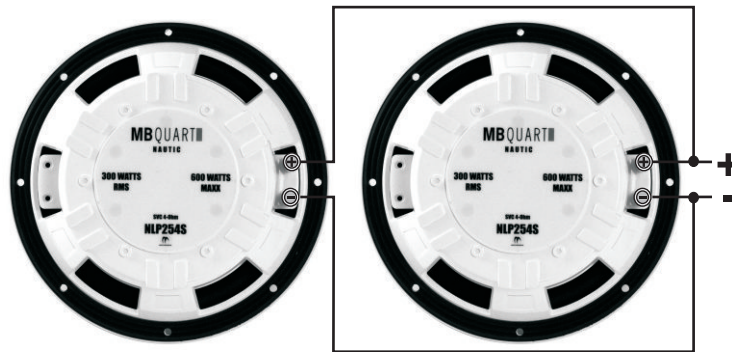
Diagram 2 shows the mounting of the grill.



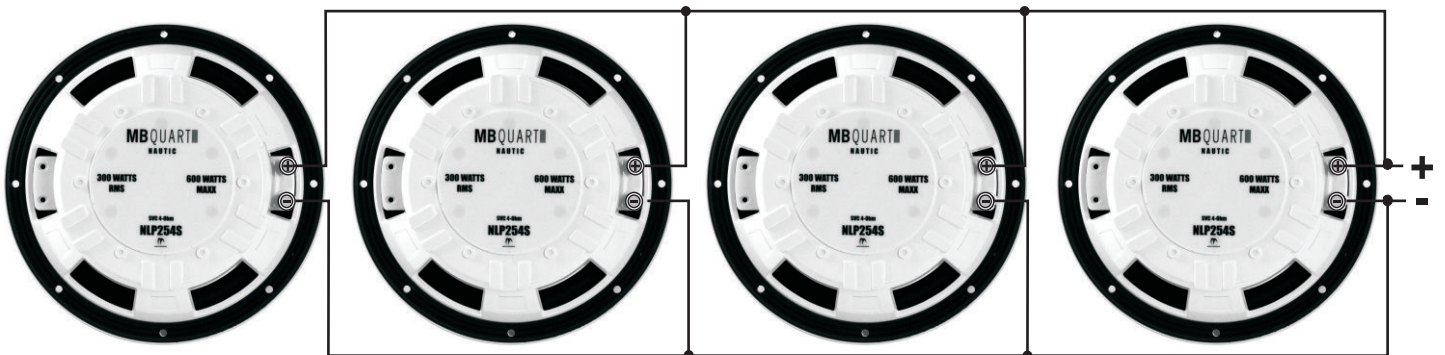
SVC = 4-0hms

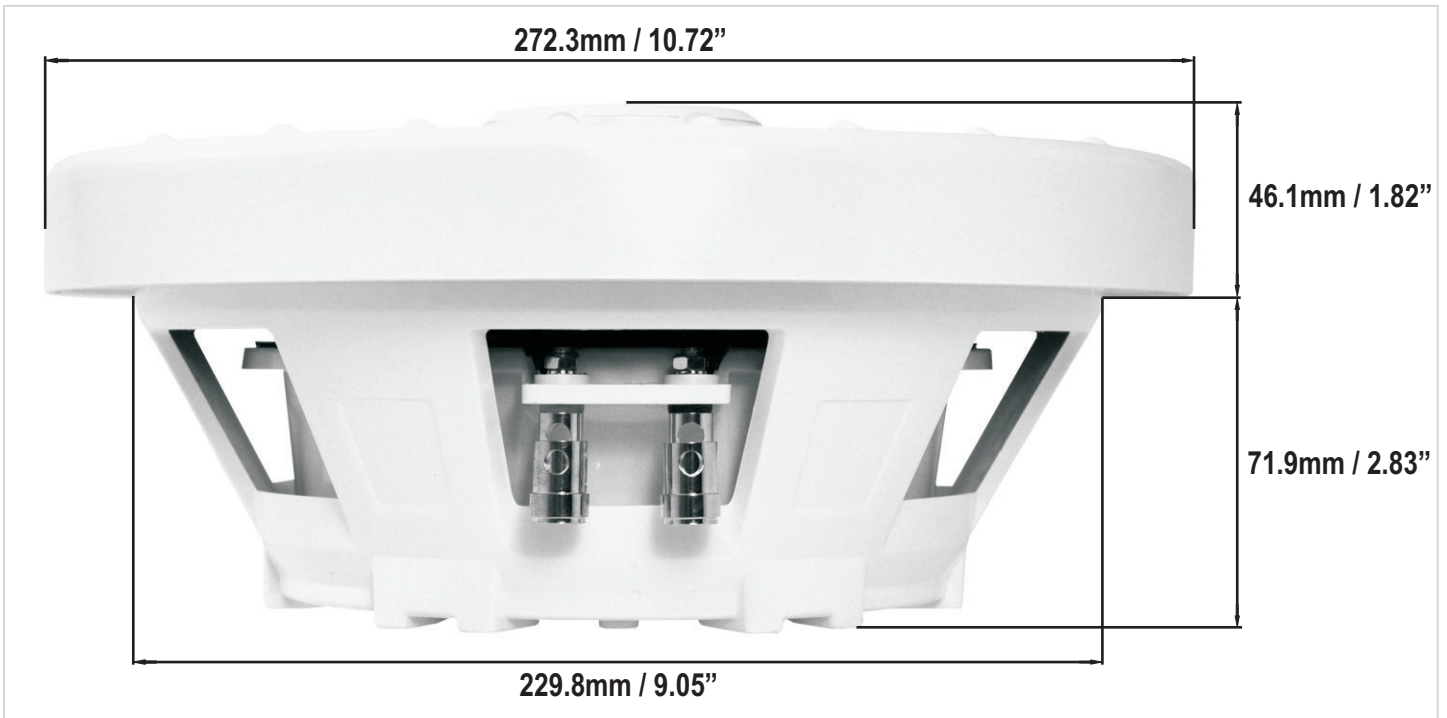


Parallel Two Subs = 2-0hms



Parallel Four Subs = 1-0hm





TECHNICAL DATA

Power Rating: 300-600 W
 Impedance: SVC 4 ohms
 Sensitivity: 82 dB (1W/1m)
 Frequency Response: 25-160 Hz

COMPRISING:

1 woofer 20.5 cm / 10"

TECHNISCHE DATEN

Belastbarkeit: 300-600 W
 Impedanz: SVC 4 ohms
 Empfindlichkeit: 82 dB (1W/1m)
 Übertragungsbereich: 25-160 Hz

BESTÜCKUNG:

1 woofer 20.5 cm / 10"

CARACTÉRISTIQUES TECHNIQUES

Puissance: 300-600 W
 Impédance: SVC 4 ohms
 Rendement: 82 dB (1W/1m)
 Bande passante: 25-160 Hz

EQUIPEMENT:

1 woofer 20.5 cm / 10"

DATOS TÉCNICOS

Carga admisible: 300-600 W
 Impedancia: SVC 4 ohmios
 Potencia de servicio: 82 dB (1W/1m)
 Campo de transmisión: 25-160 Hz

EQUIPAMIENTO:

1 woofer 20.5 cm / 10"

DATI TECNICI

Potenza: 300-600 W
 Impedenza: SVC 4 ohms
 Sensibilità: 82 dB (1W/1m)
 Risposta in frequenza: 25-160 Hz

DOTAZIONE:

1 woofer 20.5 cm / 10"

Технические Данные

Нагрузочная способность: 300-600 Вт
 Импеданс: SVC 4 ом
 Рабочая мощность: 82 дБ (1Вт/1м)
 Диапазон передачи: 25-160 Гц

Оснащение:

1 woofer 20.5 cm / 10"

Subject to technical changes · Technische Änderungen vorbehalten · Sous réserve de modifications techniques · Ci si riservano modifiche tecniche
 Reservados los cambios técnicos · Производитель оставит за собой право на технические изменения

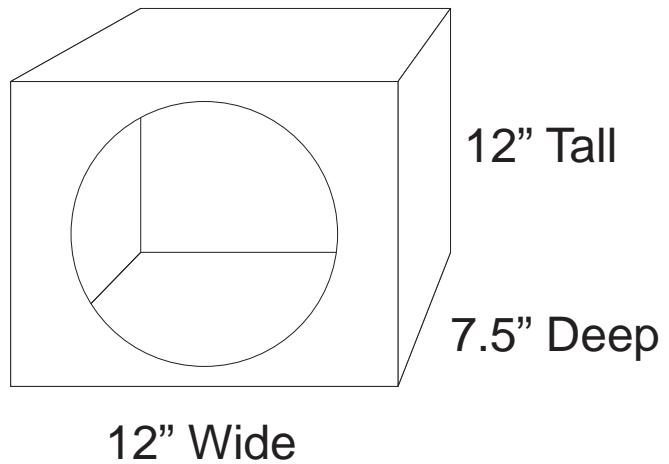
T/S PARAMETERS

Fs: 31.46 Hz	Mms: 192.16 g	Vd: 0.285 liters	BL: 11.04 Tm
Qms: 4.48	Xmax: 8.65 mm	Qes: 1.07	QTS: 0.86
Vas: 20.64 liters	Dia: 205 mm	Re: 3.43 ohms	no: 0.058 %
Cms: 133.45 um/N	Sd: 0.033 sq.m	NomZ: 4.116 ohms	1W/1M: 82 dB

THE NLP254S IS DESIGNED OPTIMALLY FOR FREE-AIR APPLICATIONS, BUT WILL WORK WELL IN THE DESIGNS BELOW (SEALED)

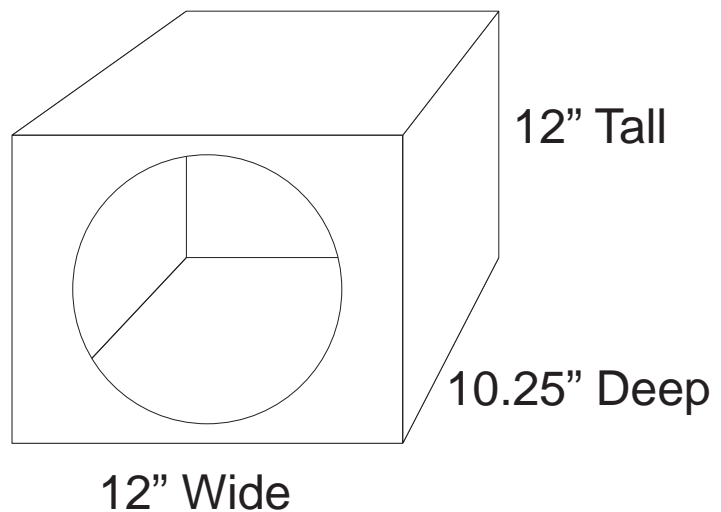
**SMALL BOX
(Tight Bass)**

Total Internal Volume:
.445 Cubic Feet
Qtc: 1.349
F3: 37Hz



**Optimal Sound Quality
(Flat Response)**

Total Internal Volume:
.648 Cubic Feet
Qtc: 1.208
F3: 34Hz



** Boxes have been designed using 1/2" MDF.
Dimensions can be changed as long as recommended internal volumes remain the same.
Subwoofer Displacement is .057 Cubic Feet*

Consider these great MB Quart marine grade amplifiers to power your new NLP254S. For specifications, please check out www.mbquart.com

NAU260**NAU460****NAU660**

Check out our videos of new products, events and technical tutorials at www.youtube.com/maxxsonicsusainc

MBQUART

MAXXSONICS USA, INC
1290 Ensell Road
Lake Zurich, Illinois 60047 USA
E-Mail: info@maxxsonics.com
Website: www.maxxsonics.com
www.mbquart.com
www.youtube.com/maxxsonicsusainc



Maxxsonics Limited Warranty

As the manufacturer of Maxxsonics, Autotek, Crunch, MB Quart and Hifonics car audio products, Maxxsonics USA Inc. Warrants to the original consumer purchaser the amplifier to be free from defects in material and workmanship for one (1) Year from date of purchase.

All other parts and accessories of the system are warrantied to be free from defects in material and workmanship for one (1) year from date of purchase. Maxxsonics will repair or replace at it's option and free of charge during the warranty period, any system component that proves defective in materials and workmanship under normal installation, use and service provided that the product is returned to the authorized Maxxsonics dealer from where it was purchased. A photo copy of the original receipt must accompany the product being returned.

Valid purchase receipts will contain the name and address of the authorized reseller.

Any damage to the product as a result of misuse, abuse, accident, incorrect wiring, improper installation, alteration of date code or bar code labels, revolution, natural disaster, or any sneaky stuff because someone messed up, repair or alteration out side of our factory or authorized service centers and any thing else you have done that you should not have done is not covered.

This warranty is limited to defective parts and specifically excludes any incidental or consequential damages connected therewith. This warranty is not to be construed as an insurance policy.

Warranty on installation labor, removal, re-installation and freight charges are not the responsibility of Maxxsonics USA Inc.

Warranty products damaged as a result of insufficient or improper packing materials are not covered by this limited warranty and such damaged product will be returned "as is" at the expense of the owner.

NLP254S