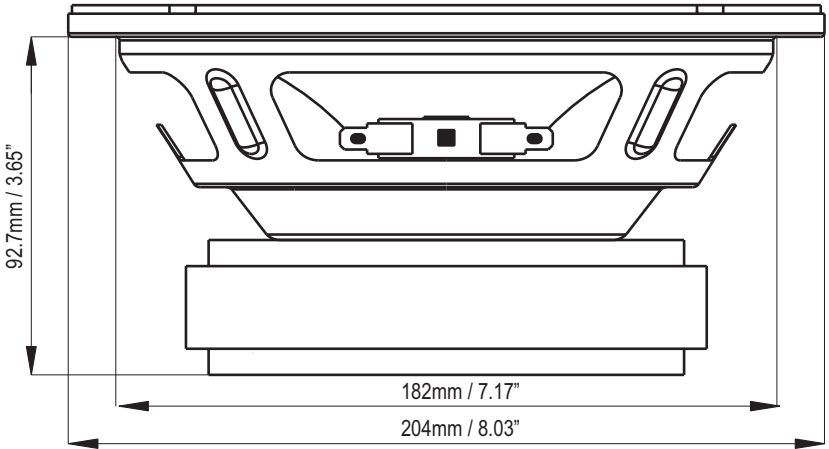


# **AUTOTEK® SIREN FULL RANGE SPEAKERS**

## **ATS8**



**8" Full Range Speaker:  
1.5" Voice Coil  
4 Ohm Single Voice Coil  
Spade Terminals  
Stamped Steel Basket  
39 oz Magnet  
Treated Pressed Paper Cone  
Cloth W Surround  
Polished Aluminum Phase Plug  
Poly Cotton Spider  
Frequency Response: 100 Hz - 10,000 Hz  
150 watts rms / 300 watts maxx**

## Maxxsonics Limited Warranty

As the manufacturer of Maxxsonics, MB Quart, Autotek, Crunch and Hifonics car audio products, Maxxsonics USA Inc. Warrants to the original consumer purchaser the amplifier to be free from defects in material and workmanship for one (1) Year from date of purchase.

All other parts and accessories of the system are warrantied to be free from defects in material and workmanship for one (1) year from date of purchase. Maxxsonics will repair or replace at it's option and free of charge during the warranty period, any system component that proves defective in materials and workmanship under normal installation, use and service provided that the product is returned to the authorized Maxxsonics dealer from where it was purchased. A photo copy of the original receipt must accompany the product being returned.

Valid purchase receipts will contain the name and address of the authorized reseller.

Any damage to the product as a result of misuse, abuse, accident, incorrect wiring, improper installation, alteration of date code or bar code labels, revolution, natural disaster, or any sneaky stuff because someone messed up, repair or alteration out side of our factory or authorized service centers and any thing else you have done that you should not have done is not covered.

This warranty is limited to defective parts and specifically excludes any incidental or consequential damages connected therewith. This warranty is not to be construed as an insurance policy.

Warranty on installation labor, removal, re-installation and freight charges are not the responsibility of Maxxsonics USA Inc.

Warranty products damaged as a result of insufficient or improper packing materials are not covered by this limited warranty and such damaged product will be returned "as is" at the expense of the owner.



**MAXXSONICS™**  
Designed and Engineered in the USA  
[www.maxxsonics.com](http://www.maxxsonics.com)